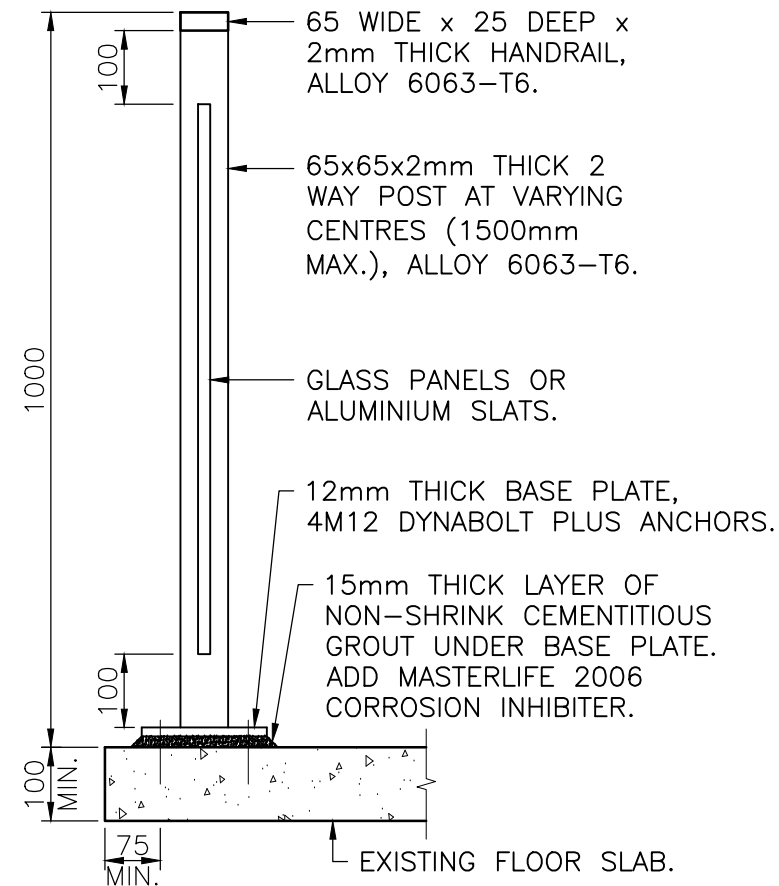


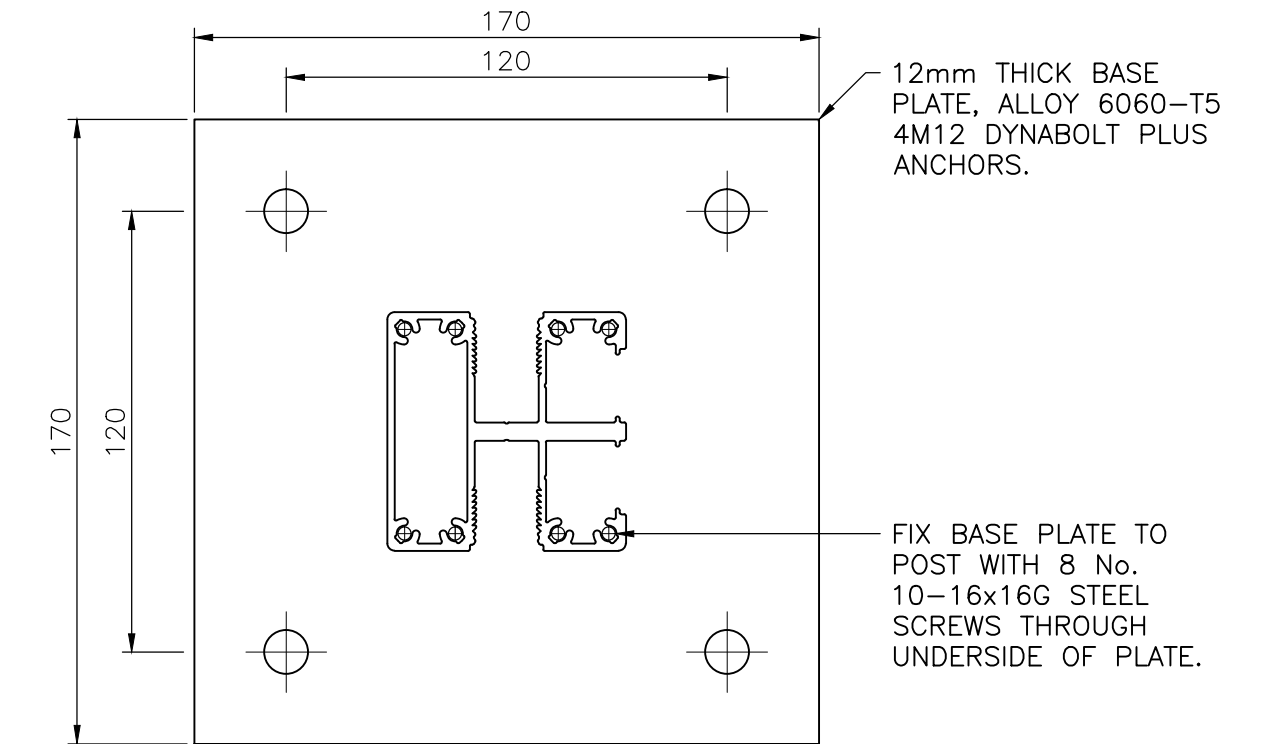
TYPICAL CORE DRILLED BASE FIXING

SCALE 1:10



TYPICAL BASE PLATE CONNECTION

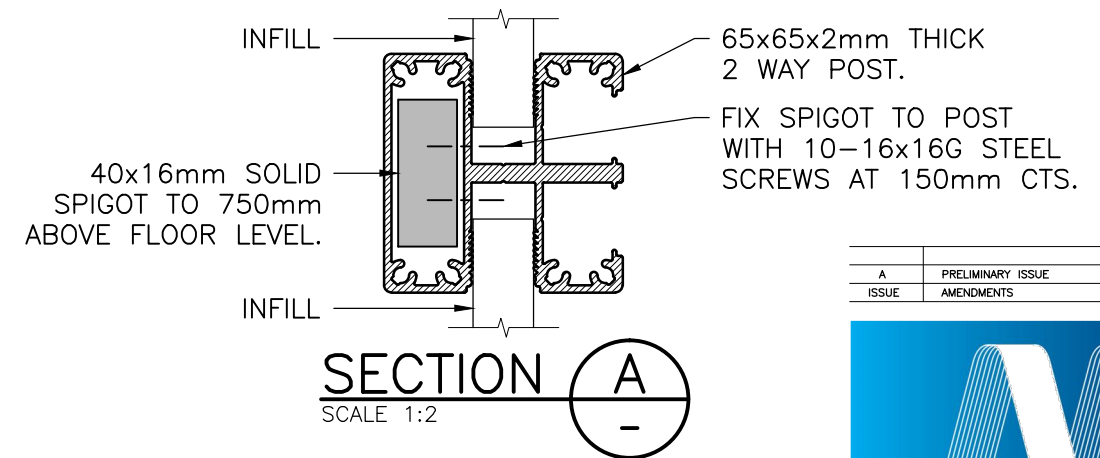
SCALE 1:10



TYPICAL BASE PLATE DETAIL

SCALE 1:2

NOTE: ALL FASTENERS TO BE GALVANISED.



SECTION A

SCALE 1:2

THE BASE CONNECTION DETAILS ARE APPLICABLE TO THE FOLLOWING GUIDELINES:

- OCCUPANCY LEVEL C3; OR OCCUPANCY LEVEL C1/C2.
- WIND LOADING FOR REGION A, TERRAIN CATEGORY 2 OR ABOVE; OR REGION B, TERRAIN CATEGORY 2 OR ABOVE; OR REGION C, TERRAIN CATEGORY 2 OR ABOVE.

REFER TO CERTIFICATE OF STRUCTURAL ADEQUACY FOR DETAILS ON BALUSTRADE SYSTEM.

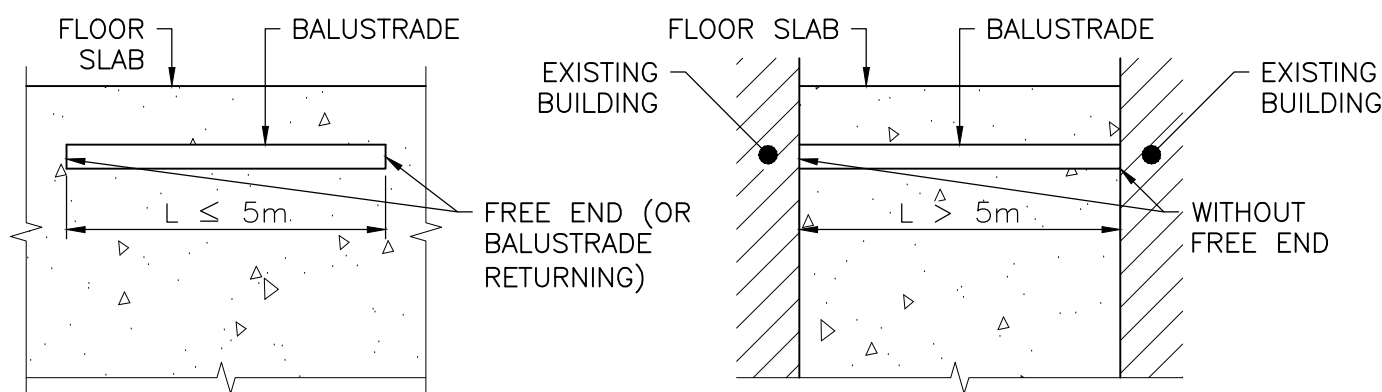


DIAGRAM FOR TYPE 1 BALUSTRADE

NOT TO SCALE

NOTE: REFER TO CERTIFICATE FOR POST CENTRES AND INFILL SPAN RELATED TO TYPE 1 & 2 BALUSTRADES.

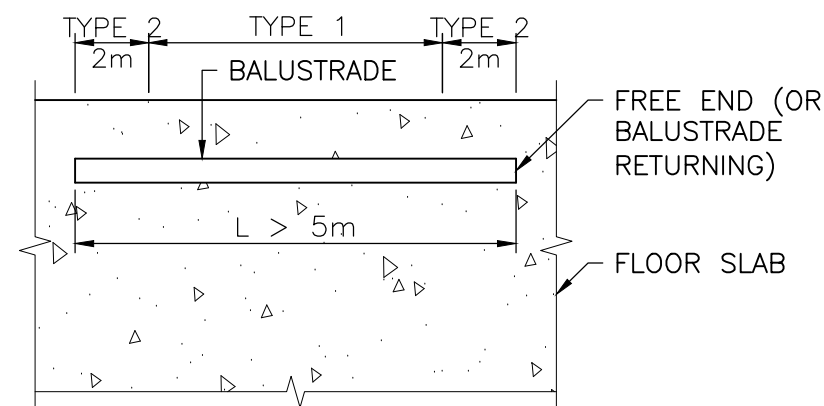


DIAGRAM FOR TYPE 1/2 BALUSTRADE

NOT TO SCALE

A	PRELIMINARY ISSUE	TH 13.10.14
ISSUE	AMENDMENTS	INT./DATE



ENGINEERING CONSULTANTS
267 BRIGHTON ROAD
SOMERTON PARK, SA 5044
TELEPHONE: (08) 8295 8677
www.magryn.com.au

> MINING
> STRUCTURAL
> COASTAL
> CIVIL

CLIENT:
KNOTWOOD

PROJECT:
BALUSTRADE CERTIFICATION
PROJECT ADDRESS:
STANDARD DESIGN

TITLE:
BASE CONNECTION DETAILS

CONTRACTORS MUST VERIFY ALL DIMENSIONS PRIOR TO ANY OFF SITE FABRICATION.		
DESIGN: CH	SCALE: AS SHOWN	DATE: OCT 2014
SHEET SIZE: A3	DRAWING NUMBER: 14816-2	REVISION: A